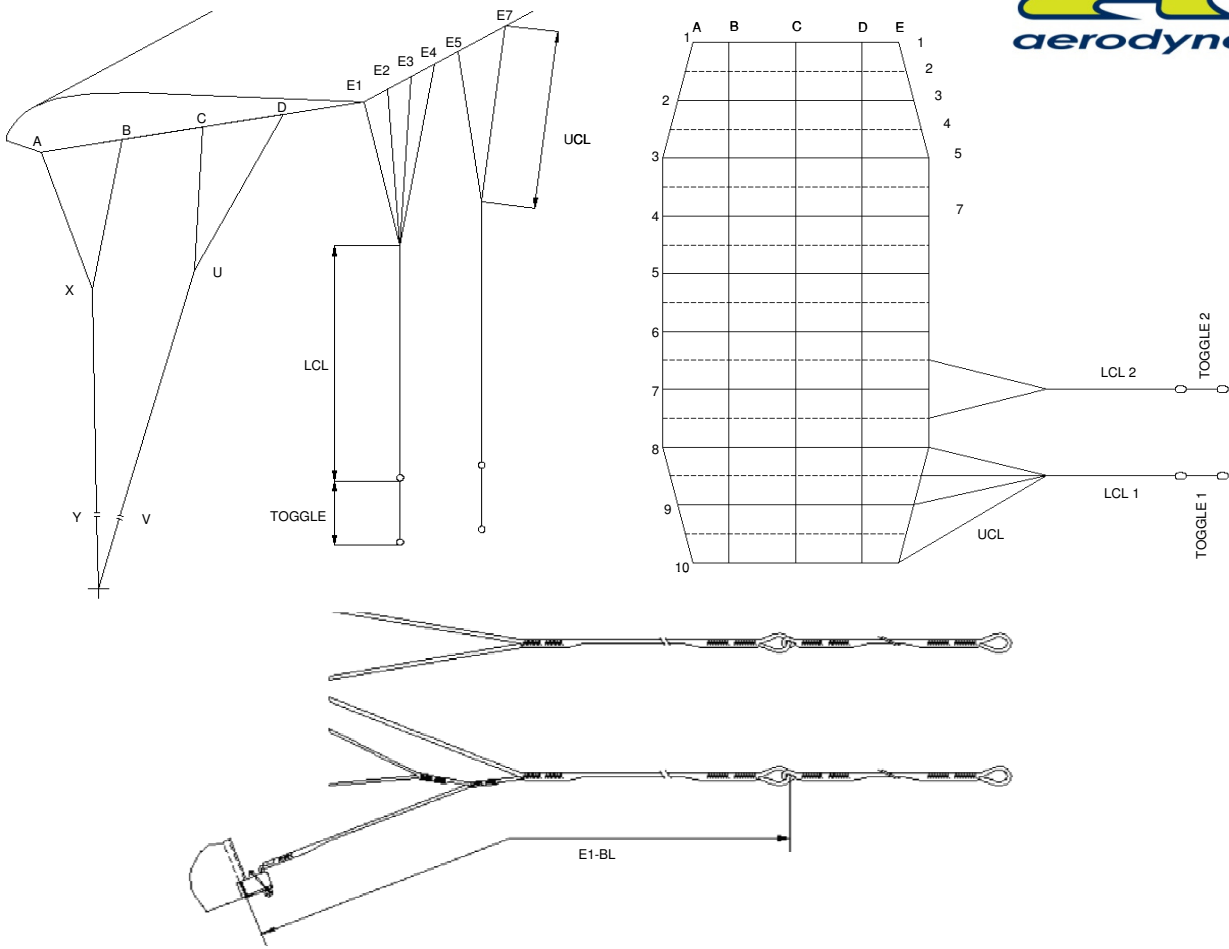
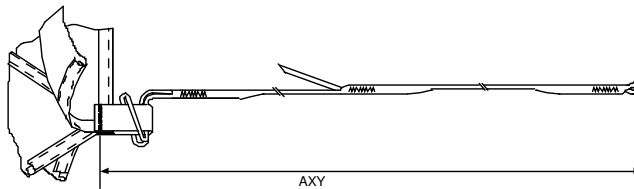


# A2



|          |      |      |      |      |
|----------|------|------|------|------|
| Canopy   | 330  | 350  | 370  | 389  |
| AXY1     | 4606 | 4773 | 4970 | 5102 |
| A1-B1    | 91   | 93   | 96   | 100  |
| A1-C1    | 263  | 273  | 283  | 291  |
| A1-D1    | 489  | 506  | 524  | 541  |
| AXY2     | 4688 | 4858 | 5031 | 5194 |
| A2-B2    | 83   | 86   | 89   | 88   |
| A2-C2    | 270  | 280  | 290  | 296  |
| A2-D2    | 545  | 565  | 585  | 599  |
| AXY3     | 4604 | 4771 | 4940 | 5101 |
| A3-B3    | 63   | 65   | 67   | 69   |
| A3-C3    | 277  | 287  | 297  | 305  |
| A3-D3    | 578  | 599  | 620  | 639  |
| LCL1     | 2554 | 2647 | 2741 | 2830 |
| LCL2     | 3114 | 3227 | 3342 | 3490 |
| TOGGLE 1 | 650  | 674  | 698  | 742  |
| TOGGLE 2 | 650  | 674  | 698  | 742  |
| E1-BL    | 4786 | 4954 | 5125 | 5296 |
| E2-BL    | 4914 | 5082 | 5253 | 5434 |
| E3-BL    | 4913 | 5081 | 5252 | 5433 |
| E4-BL    | 4971 | 5151 | 5334 | 5507 |
| E5-BL    | 5102 | 5287 | 5475 | 5690 |
| E7-BL    | 5102 | 5287 | 5475 | 5690 |



ENSURE LOOPS ARE HELD EVENLY AND SECURELY. EACH LINE TO BE LOADED TO 4.5KG DURING MEASUREMENT.

AXY : MEASURE FROM END OF SUSPENSION LINE LOOP TO BARTACK ON SUSPENSION LINE ATTACHMENT TAB.

E-BL : MEASURE FROM BOTTOM OF BRAKE LOOP TO CENTER OF BARTACK ON UCL ATTACHMENT TAB.

All dimensions in mm

VERSION 1.0