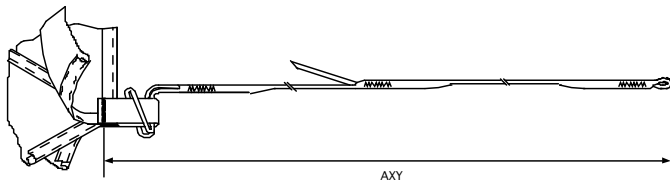
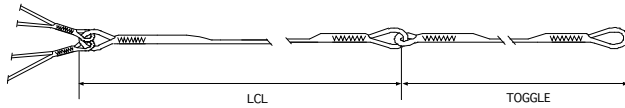
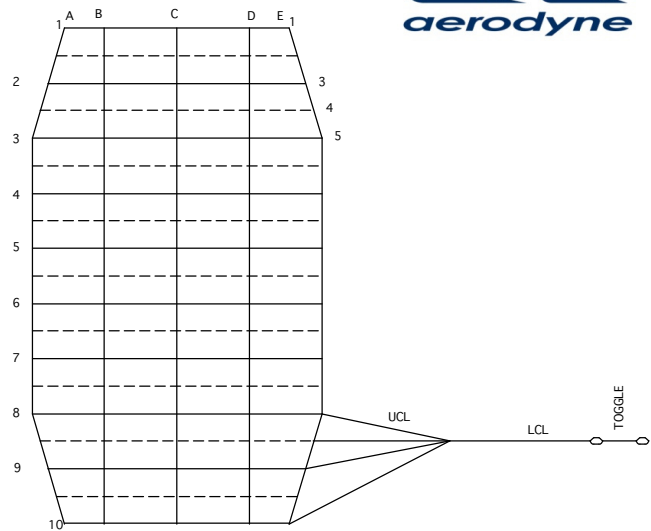
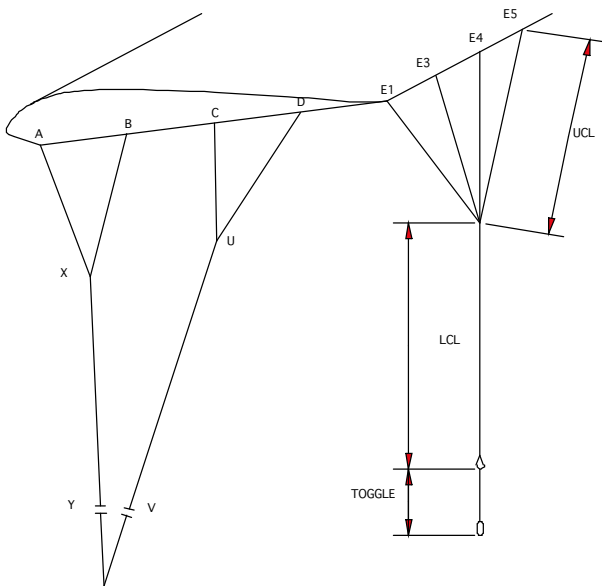


SOLO SPECTRA



ENSURE LOOPS ARE HELD EVENLY AND SECURELY. EACH LINE TO BE LOADED TO 4.5KG DURING MEASUREMENT. MEASURE THE DEPLOYMENT BRAKE SETTING WITH THE TOGGLES STOWED. MEASURE THE FULL FLIGHT SETTING WITH THE TOGGLES UNSTOWED.

MEASURE FROM END OF SUSPENSION LINE LOOP TO BARTACK ON SUSPENSION LINE ATTACHMENT TAB.

Canopy	190	210	230	250	270	290
AXY1	3405	3579	3962	4154	4339	4495
A1-B1	31	32	34	36	38	40
A1-C1	182	193	202	211	219	225
A1-D1	371	391	410	428	444	460
AXY2	3405	3579	3962	4154	4339	4495
A2-B2	40	42	44	47	48	50
A2-C2	215	227	238	249	258	275
A2-D2	439	462	485	506	525	550
AXY3	3405	3579	3963	4156	4341	4495
A3-B3	44	46	49	50	52	55
A3-C3	232	246	256	267	277	295
A3-D3	472	497	520	543	562	590
E1	3731	3923	1191	1242	1290	4788
E3	3769	3962	1233	1285	1335	4945
E4	3832	4029	1302	1357	1410	5022
E5	4021	4227	1510	1574	1636	5257
LCL	2649	2785	3131	3288	3439	3562
TOGGLE	462	481	503	524	545	565

All dimensions in mm

Float
A : 10
B : 20
D : 30