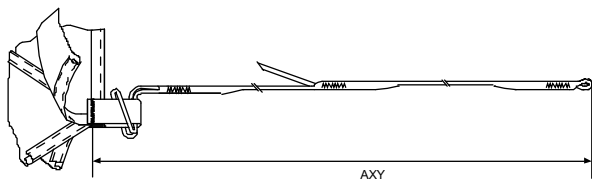
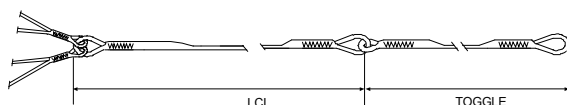
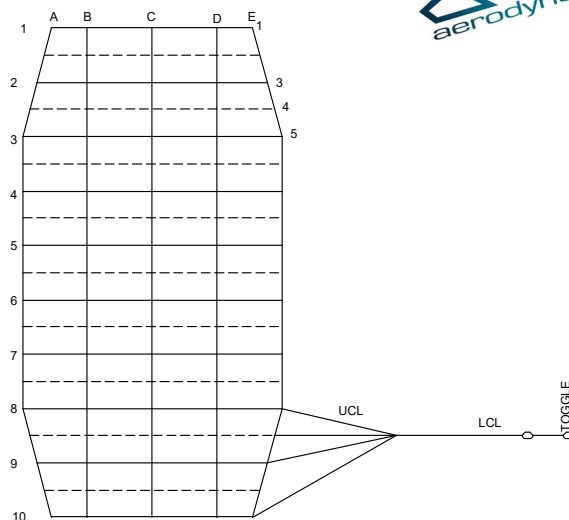
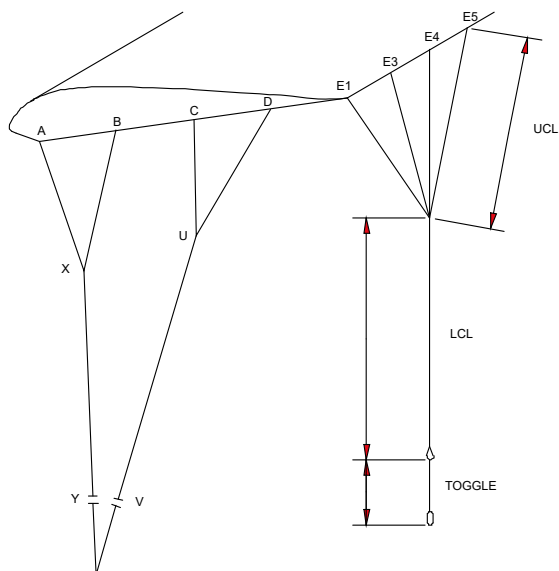


ZuluX



ENSURE LOOPS ARE HELD EVENLY AND SECURELY. EACH LINE TO BE LOADED TO 4.5KG DURING MEASUREMENT. MEASURE THE DEPLOYMENT BRAKE SETTING WITH THE TOGGLES STOWED. MEASURE THE FULL FLIGHT SETTING WITH THE TOGGLES UNSTOWED.

MEASURE FROM END OF SUSPENSION LINE LOOP TO BARTACK ON SUSPENSION LINE ATTACHMENT TAB.

Canopy	102	112	122	132	152	153
AXY1	88 5/8	95 2/8	99 3/8	103 1/8	114 5/8	118 6/8
A1-B1	1 5/8	1 5/8	1 5/8	1 5/8	1 5/8	1 5/8
A1-C1	5 7/8	6 1/8	6 1/8	6 4/8	6 7/8	7 1/8
A1-D1	11 2/8	11 6/8	12	12 5/8	13 3/8	13 6/8

AXY2	88 5/8	95 2/8	99 3/8	103 1/8	114 5/8	118 6/8
A2-B2	1 6/8	2	2	2	1 6/8	2
A2-C2	6 7/8	7 4/8	7 4/8	7 5/8	8 1/8	8 4/8
A2-D2	13 3/8	14 1/8	14 3/8	15	16	16 4/8

AXY3	88 5/8	95 2/8	99 3/8	103 1/8	114 5/8	118 6/8
A3-B3	2	2 1/8	2	2 1/8	2 1/8	2 1/8
A3-C3	7 5/8	8 1/8	8 2/8	8 4/8	8 7/8	9
A3-D3	14 5/8	15 4/8	15 6/8	16 3/8	17 3/8	17 7/8

LCL	71 5/8	76 6/8	79 7/8	82 5/8	87 5/8	91 6/8
TOGGLE	14 1/8	15 6/8	15 6/8	16 3/8	16 7/8	16 6/8

UCL1	30 6/8	31 1/8	32 2/8	33 4/8	37 6/8	39 6/8
UCL3	32 2/8	32 2/8	33 4/8	34 5/8	39 3/8	41 1/8
UCL4	33 7/8	33 7/8	35 2/8	36 5/8	41 6/8	43 2/8
UCL5	42 7/8	41 6/8	42 7/8	42 7/8	45 2/8	50

All dimensions in inch

STABILIZER FLOAT

- B : 1/2
- C : 3/4
- D : 1 1/4