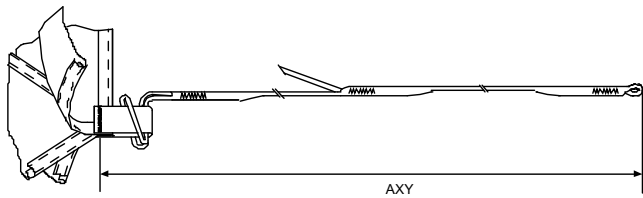
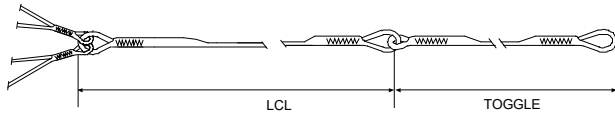
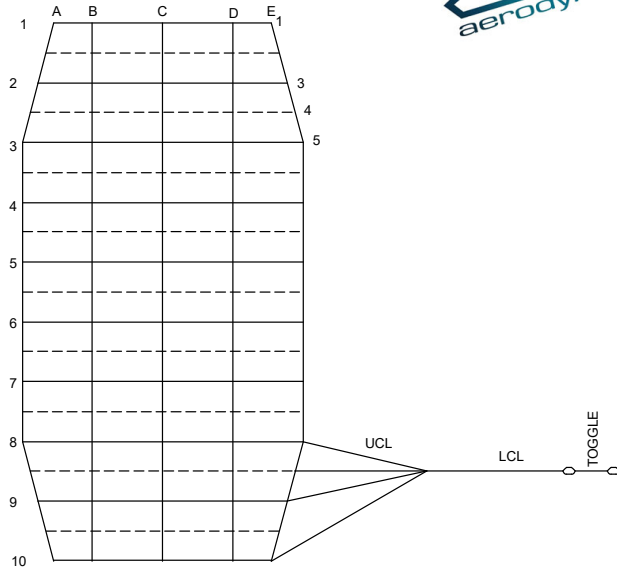
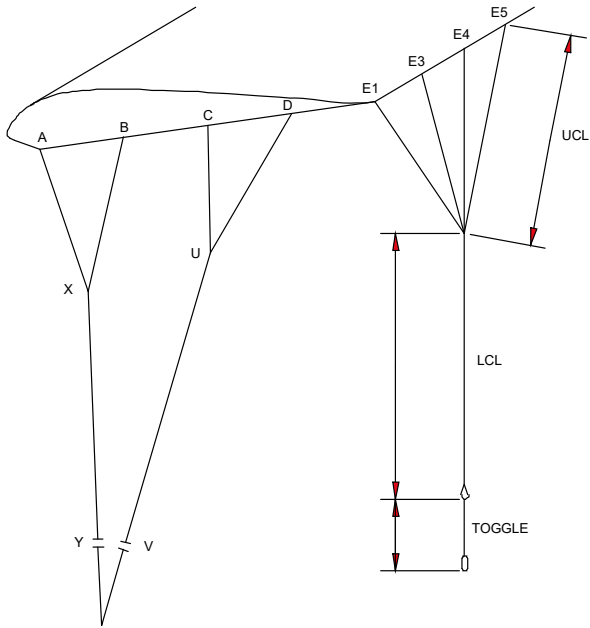


# ZuluX



ENSURE LOOPS ARE HELD EVENLY AND SECURELY. EACH LINE TO BE LOADED TO 4.5KG DURING MEASUREMENT. MEASURE THE DEPLOYMENT BRAKE SETTING WITH THE TOGGLES STOWED. MEASURE THE FULL FLIGHT SETTING WITH THE TOGGLES UNSTOWED.

MEASURE FROM END OF SUSPENSION LINE LOOP TO BARTACK ON SUSPENSION LINE ATTACHMENT TAB.

Canopy	102	112	122	132	152	172
AXY1	2250	2420	2525	2620	2910	3015
A1-B1	40	40	40	40	40	40
A1-C1	150	155	155	165	175	180
A1-D1	285	300	305	320	340	350

AXY2	2250	2420	2525	2620	2910	3015
A2-B2	45	50	50	50	45	50
A2-C2	174	190	190	195	205	215
A2-D2	340	360	365	380	405	420

AXY3	2250	2420	2525	2620	2910	3015
A3-B3	50	55	50	55	55	55
A3-C3	195	205	210	215	225	230
A3-D3	370	395	400	415	440	455

LCL	1820	1950	2030	2100	2225	2330
TOGGLE	360	400	400	415	430	425

ULC1	780	790	820	850	960	1010
ULC3	820	820	850	880	1000	1045
ULC4	860	860	895	930	1060	1100
ULC5	1090	1060	1090	1090	1150	1270

## STABILIZER FLOAT

- B : 10
- C : 20
- D : 30

All dimensions in mm

VER 0.0