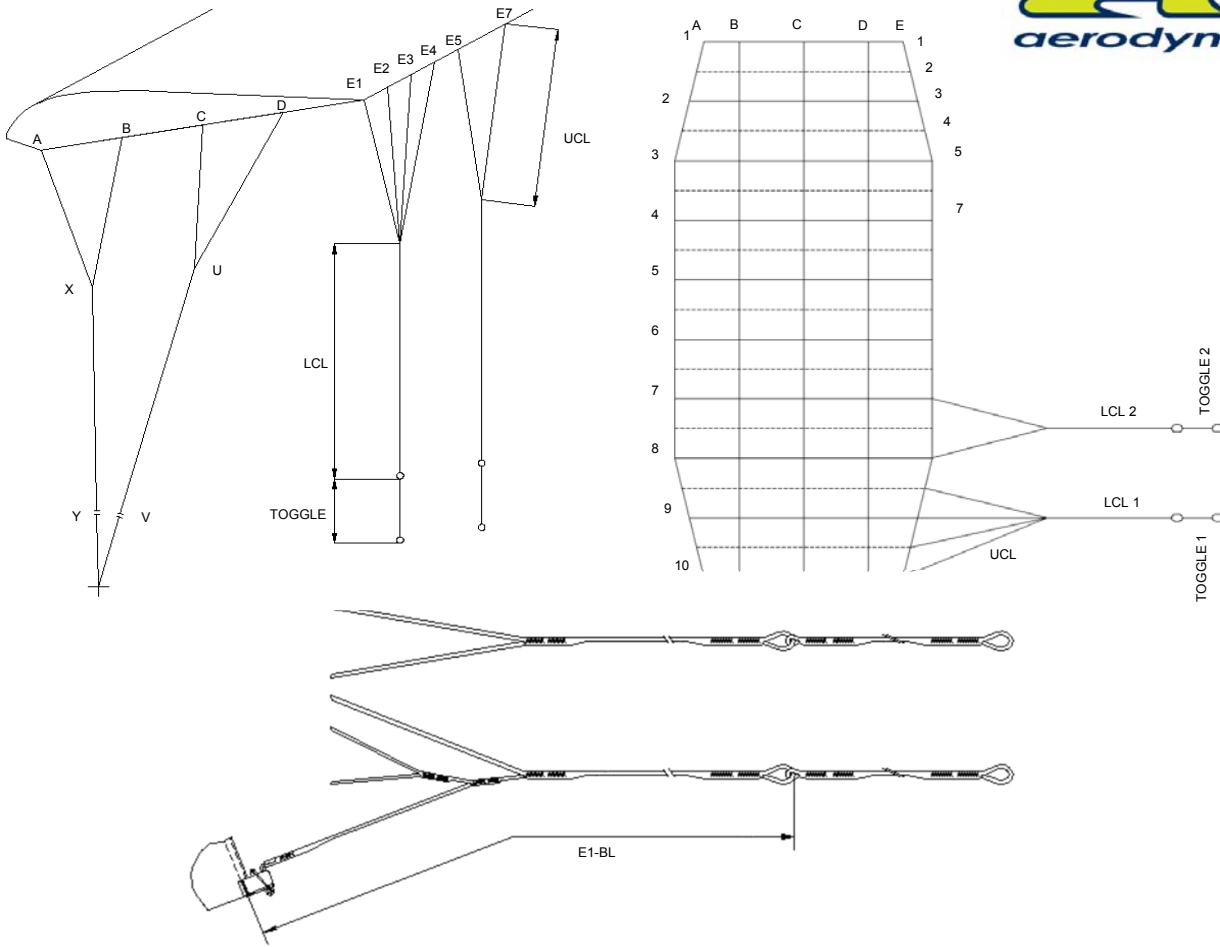
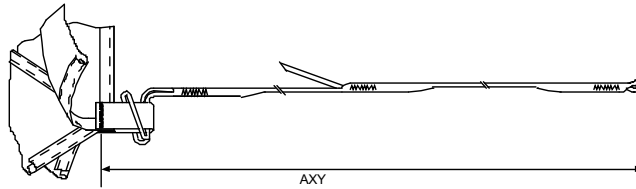


A2



Canopy	330	350	370	389
AXY1	4606	4773	4970	5102
A1-B1	91	93	96	100
A1-C1	263	273	283	291
A1-D1	489	506	524	541
AXY2	4688	4858	5031	5194
A2-B2	83	86	89	88
A2-C2	270	280	290	296
A2-D2	545	565	585	599
AXY3	4604	4771	4940	5101
A3-B3	63	65	67	69
A3-C3	277	287	297	305
A3-D3	578	599	620	639
LCL1	2554	2647	2741	2830
LCL2	3114	3227	3342	3490
TOGGLE 1	650	674	698	742
TOGGLE 2	650	674	698	742
E1-BL	4786	4954	5125	5296
E2-BL	4914	5082	5253	5434
E3-BL	4913	5081	5252	5433
E4-BL	4971	5151	5334	5507
E5-BL	5102	5287	5475	5690
E7-BL	5102	5287	5475	5690



ENSURE LOOPS ARE HELD EVENLY AND SECURELY. EACH LINE TO BE LOADED TO 4.5KG DURING MEASUREMENT.

AXY : MEASURE FROM END OF SUSPENSION LINE LOOP TO BARTACK ON SUSPENSION LINE ATTACHMENT TAB.

E-BL : MEASURE FROM BOTTOM OF BRAKE LOOP TO CENTER OF BARTACK ON UCL ATTACHMENT TAB.

All dimensions in mm

VERSION 1.1