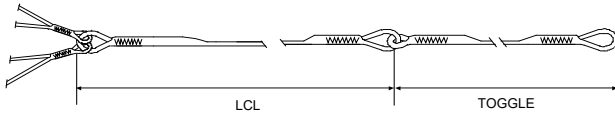
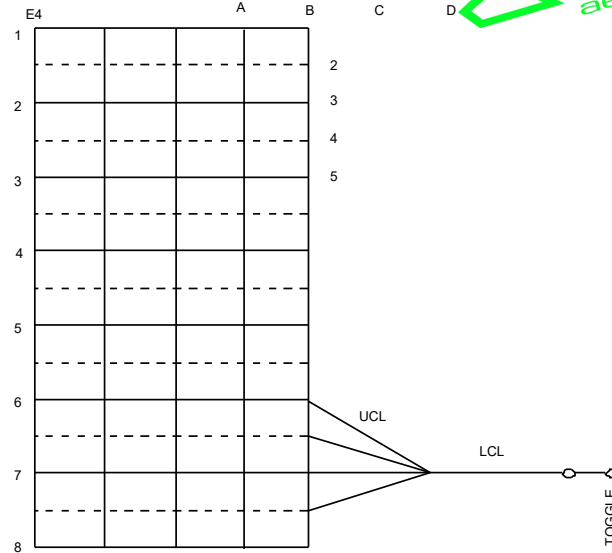
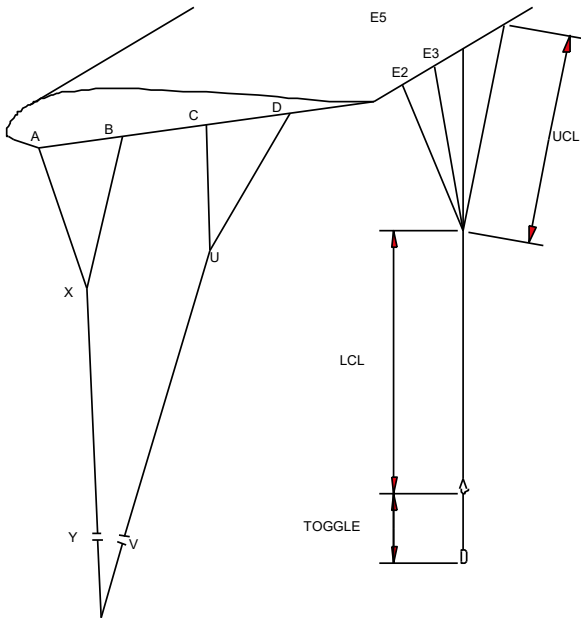
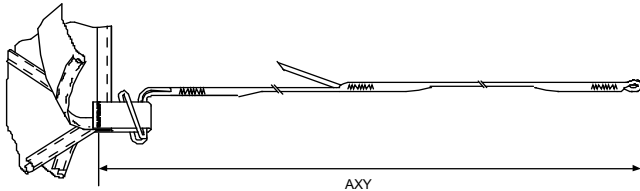


TRIATHLON RW SPECTRA IMPERIAL



ENSURE LOOPS ARE HELD EVENLY AND SECURELY. EACH LINE TO BE LOADED TO 10LBS DURING MEASUREMENT. MEASURE THE DEPLOYMENT BRAKE SETTING WITH THE TOGGLES STOWED. MEASURE THE FULL FLIGHT SETTING WITH THE TOGGLES UNSTOWED.



MEASURE FROM END OF SUSPENSION LINE LOOP TO BARTACK ON SUSPENSION LINE ATTACHMENT TAB.

STABILIZER FLOAT
B : 1/2
C : 3/4
D : 1 1/4

Canopy	99	110	120	135	150	160	175	190	210	220	240	260
AXY	94	99	103 1/2	110 1/2	115	119	124	129 1/2	135	138 1/2	145 1/2	152
BXY	95 1/2	100 1/2	105 1/2	112	117 1/2	121	126 1/2	132	137 1/2	141	147 1/2	154 1/2
XY	63 1/2	67	70 1/2	74 1/2	78 1/2	79 1/2	84 1/2	87	91 1/2	94 1/2	99	103 1/2
CUV	101 1/2	106	111 1/2	119	124 1/2	128 1/2	134	140	145 1/2	149 1/2	156 1/2	164
DUV	109 1/2	114 1/2	120 1/2	128	134 1/2	139	145	151	157 1/2	162	169 1/2	177
UV	77	81	85 1/2	90 1/2	95 1/2	97	103	106	112	115 1/2	120 1/2	126
LCL	71	74 1/2	78	82 1/2	86 1/2	89 1/2	93 1/2	97 1/2	101 1/2	104 1/2	108 1/2	114 1/2
TOGGLE	15 1/2	16 1/2	18 1/2	19	21	20 1/2	21 1/2	21	21 1/2	21 1/2	22 1/2	22
UCL 2	102	108	113	120	125 1/2	129 1/2	135 1/2	141 1/2	147	151 1/2	157	165 1/2
UCL 3	102	108	113	120	125 1/2	129 1/2	135 1/2	141 1/2	147	151 1/2	157	165 1/2
UCL 4	102	108	113	120	125 1/2	129 1/2	135 1/2	141 1/2	147	151 1/2	157	165 1/2
UCL 5	106	112 1/2	118	121 1/2	130 1/2	135	143	149	156 1/2	161 1/2	166 1/2	178
Deployment Brake Setting												
C4-E4	6	4	5	4 1/2	5	6	6	7 1/2	6 1/2	6 1/2	4	7
Full Flight Setting												
C4-E4	6 1/2	4 1/2	6 1/2	5 1/2	5 1/2	6 1/2	6 1/2	7 1/2	6	7 1/2	5 1/2	4

All dimensions in inch

Ver 0.1