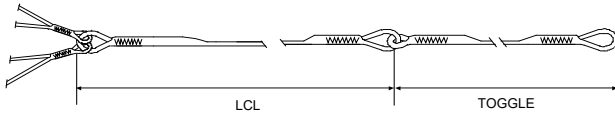
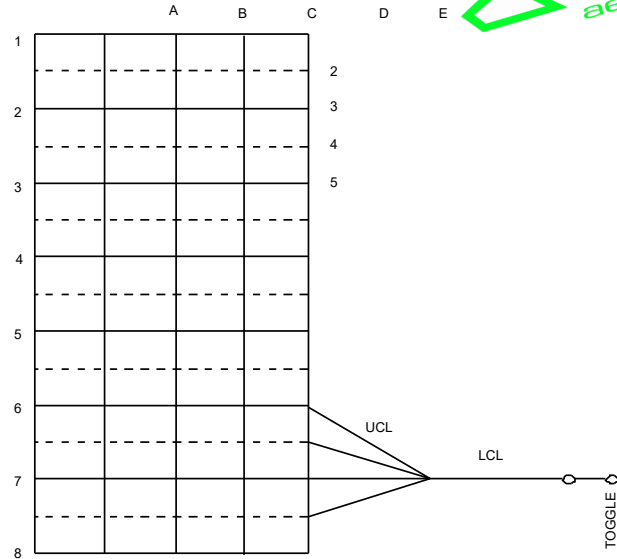
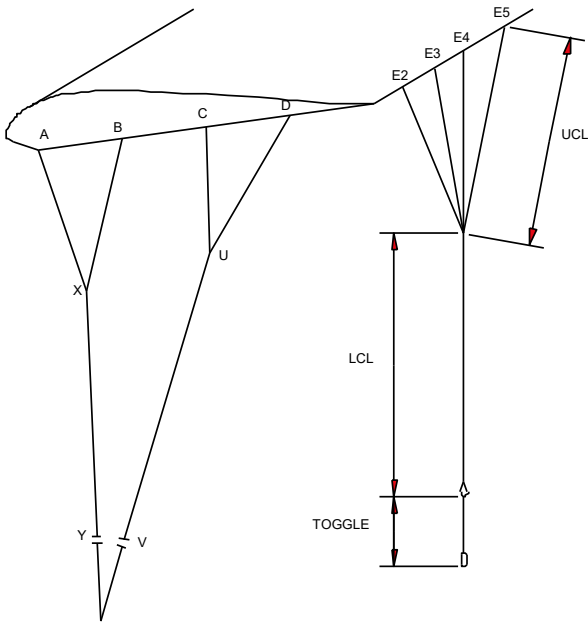
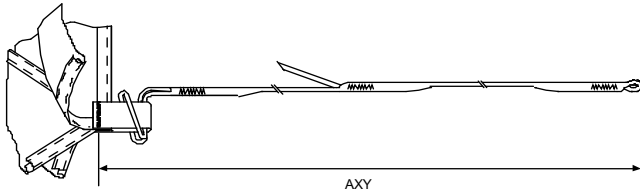


# TRIATHLON RW SPECTRA METRIC



ENSURE LOOPS ARE HELD EVENLY AND SECURELY. EACH LINE TO BE LOADED TO 10LBS DURING MEASUREMENT. MEASURE THE DEPLOYMENT BRAKE SETTING WITH THE TOGGLES STOWED. MEASURE THE FULL FLIGHT SETTING WITH THE TOGGLES UNSTOWED.



MEASURE FROM END OF SUSPENSION LINE LOOP TO BARTACK ON SUSPENSION LINE ATTACHMENT TAB.

STABILIZER FLOAT :  
B : 10  
C : 20  
D : 30

Canopy	99	110	120	135	150	160	175	190	210	220	240	260
AXY	2382	2510	2630	2802	2924	3025	3152	3290	3430	3522	3690	3860
BXY	2427	2549	2675	2842	2980	3075	3210	3350	3490	3580	3745	3925
XY	1615	1697	1785	1890	1990	2015	2150	2215	2330	2405	2510	2630
CUV	2572	2694	2830	3017	3160	3260	3400	3550	3695	3795	3975	4160
DUV	2787	2913	3060	3257	3420	3525	3680	3840	4004	4110	4300	4500
UV	1960	2061	2170	2300	2430	2465	2620	2690	2844	2935	3055	3205
LCL	1800	1891	1980	2100	2200	2270	2380	2480	2575	2660	2750	2910
TOGGLE	390	415	470	480	530	525	540	530	550	550	570	565
UCL 2	2590	2737	2870	3050	3190	3290	3440	3590	3735	3845	3985	4210
UCL 3	2590	2737	2870	3050	3190	3290	3440	3590	3735	3845	3985	4210
UCL 4	2590	2737	2870	3050	3190	3290	3440	3590	3735	3845	3985	4210
UCL 5	2690	2862	3000	3090	3320	3434	3630	3785	3970	4100	4235	4515
Deployment Brake Setting												
C4-E4	150	100	130	115	130	150	150	190	170	170	105	180
Full Flight Setting												
C4-E4	160	113	160	135	145	165	160	190	150	190	135	100

All dimensions in mm