



Best viewed and edited in [Adobe Acrobat](#)



Aerodyne Icon A Order Form  
v. 20170511

**CUSTOMER & DEALER INFORMATION**

<b>PO #</b>	<b>DEALER NAME</b>	<b>DEALER #</b>
_____	_____	_____
<b>CUSTOMER'S FULL NAME</b>		<b>DEALER'S EMAIL ADDRESS</b>
_____		_____
<b>CUSTOMER'S EMAIL ADDRESS</b>		<b>CUSTOMER'S PHONE #</b>
_____		_____

**CANOPIES, AAD, & ASSEMBLY**

<b>CONTAINER SIZE (I1-I9)</b>	<b>LONG VERSION (I1-I4 ONLY)</b>	<b>MAIN CANOPY AND SIZE</b>	<b>RESERVE CANOPY AND SIZE</b>	<b>AAD</b>	<b>ASSEMBLY (\$)</b>
_____	_____	_____	_____	_____	_____

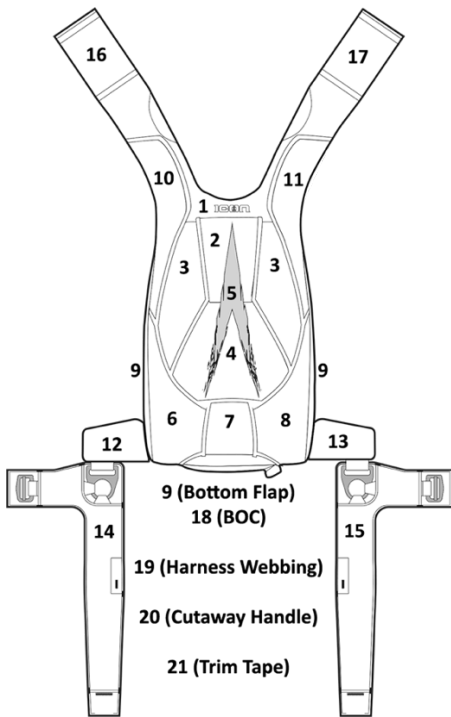
**MEASUREMENTS**

<b>MEASURING UNITS:</b>	<b>SEX:</b> _____	<b>WEIGHT:</b> _____
<b>HEIGHT:</b> _____	<b>TORSO:</b> _____	<b>LEG PAD:</b> _____
<b>CHEST:</b> _____	<b>WAIST:</b> _____	<b>INSEAM:</b> _____

**DESIGN**

**CONTAINER MATERIAL (CORDURA or BALLSITIC):** \_\_\_\_\_

Section	Color
1. Yoke	_____
2. Reserve Cover	_____
3. L/R Reserve	_____
4. Center Flap	_____
5. Center Arrow	_____
6. L Main Flap	_____
7. Main Cover	_____
8. R Main Flap	_____
9. SW/Bottom	_____
10. L Riser Cover	_____
11. R Riser Cover	_____
12. L Lateral	_____
13. R Lateral	_____
14. L Leg Pad	_____
15. R Leg Pad	_____
16. L Ring Cover	_____
17. R Ring Cover	_____
18. BOC (\$)	_____
19. Harness	_____
20. Cutaway	_____
21. Trim Tape*	_____



\*For customization of trim tape colors, please contact the office

Aerodyne Research, LLC  
1407 Flightline Blvd.  
Unit 14  
Deland, FL 32724

Phone: (813) 891-6300  
Fax: (386) 463-5380  
[info@flyaerodyne.com](mailto:info@flyaerodyne.com)  
[www.flyaerodyne.com](http://www.flyaerodyne.com)



Best viewed and edited in [Adobe Acrobat](#)



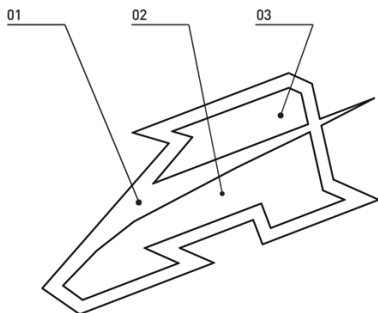
Aerodyne Icon A Order Form  
v. 20170511

### STANDARD EMBROIDERY



SIDEWALL LOGO

- 01. ICON fille \_\_\_\_\_
- 02. ICON Outline: \_\_\_\_\_
- 03. A logo: \_\_\_\_\_



LEFT RING COVER

- 01. Outline around logo: \_\_\_\_\_
- 02. Bottom of A logo: \_\_\_\_\_
- 03. Top of A logo: \_\_\_\_\_

### CUSTOM EMBROIDERY

Location	Font	Color
Right Ring Cover (Custom): _____	Script/Print	Color: _____
Left Sidewall (Custom): _____	Script/Print	Color: _____
Right Sidewall (Custom): _____	Script/Print	Color: _____
Cutaway Handle: _____	Script/Print	Color: _____
Soft Reserve Handle: _____	Script/Print	Color: _____

### CONTAINER OPTIONS

PILOT CHUTE MATERIAL: _____	PILOT CHUTE COLOR: _____
PILOT CHUTE HANDLE: _____	PILOT CHUTE HANDLE COLOR(S) <sup>1</sup> : _____
RISER RINGS: _____	RISER LENGTH: _____
RSL TYPE: _____	CONTRAST STITCHING COLOR: _____
RESERVE HANDLE: _____	RESERVE HANDLE COLOR: _____
CHEST STRAP: _____	CHEST RINGS: _____
WINGSUIT MODIFICATION <sup>2</sup> : _____	SEMI-STOWLESS MAIN D-BAG: _____
FRENCH MODIFICATION <sup>3</sup> : _____	MATCHING GEAR BAG: _____
UNIVERSAL MOUNT <sup>4</sup> : _____	BACKPAD MATERIAL <sup>5</sup> : _____
MAGNETIC RISER COVERS: _____	BELLY BAND: _____

1. Pilot chute handle color(s) – if hacky handle is selected, please provide 1 or 2 colors. If freely handle is selected, please provide 1 color.
2. Wingsuit modification – includes dynamic corners and 9' bridle (12' bridle available on request)
3. French modification – Moves AAD cutter location, per Fédération Française de Parachtisme regulations.
4. Universal mount – Adds GoPro mount to right ring cover.
5. Backpad material – Spacer foam backpad is standard, AeroFit is available as an upgrade.

Aerodyne Research, LLC  
 1407 Flightline Blvd.  
 Unit 14  
 Deland, FL 32724

Phone: (813) 891-6300  
 Fax: (386) 463-5380  
[info@flyaerodyne.com](mailto:info@flyaerodyne.com)  
[www.flyaerodyne.com](http://www.flyaerodyne.com)



Best viewed and edited in [Adobe Acrobat](#)



Aerodyne Icon A Order Form  
v. 20170511

COLOR		CORDURA	BALLISTIC	TRIM TAPE	HARNESS	EMBROIDERY
BLACK		X	X	X	X	X
COYOTE		X		X		X
DARK GREY		X	X	X		X
GOLD		X		X		X
KELLY GREEN		X		X		X
NAVY BLUE		X	X	X	X	X
NEON GREEN		X				X
NEON PINK		X				X
NEON YELLOW		X		X		X
OLIVE DRAB		X	X	X	X	X
ORANGE		X		X		X
PURPLE		X		X	X	X
RED		X	X	X	X	X
ROYAL BLUE		X	X	X	X	X
SILVER		X		X	X	X
WHITE		X		X	X	X
YELLOW		X		X		X
CAMO		X				

Aerodyne Research, LLC  
1407 Flightline Blvd.  
Unit 14  
Deland, FL 32724

Phone: (813) 891-6300  
Fax: (386) 463-5380  
[info@flyaerodyne.com](mailto:info@flyaerodyne.com)  
[www.flyaerodyne.com](http://www.flyaerodyne.com)