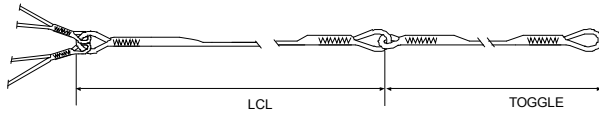
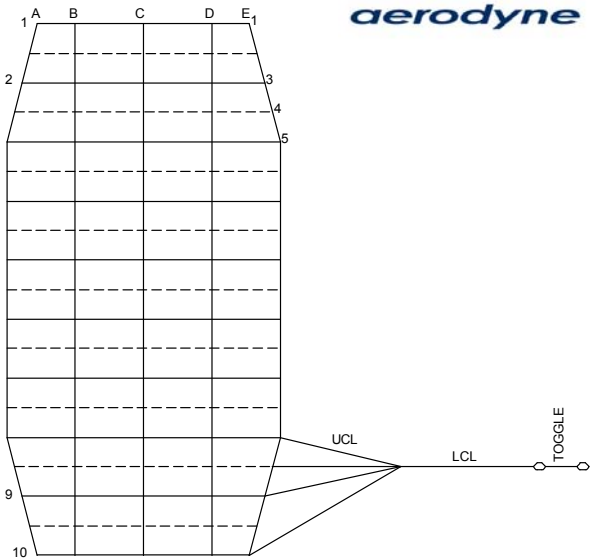
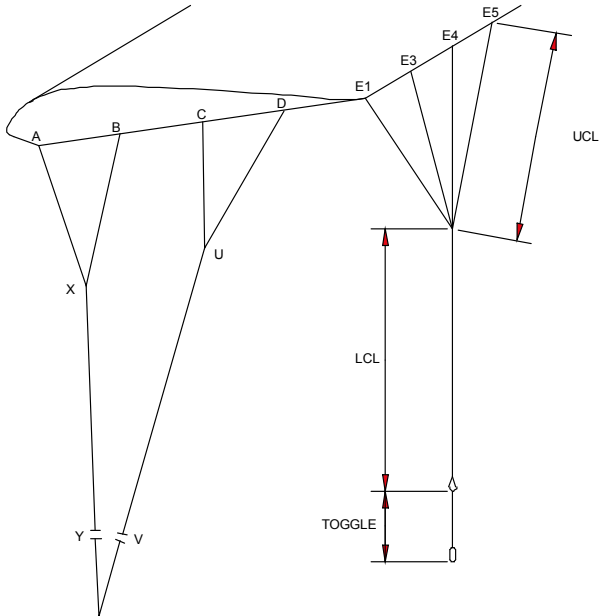
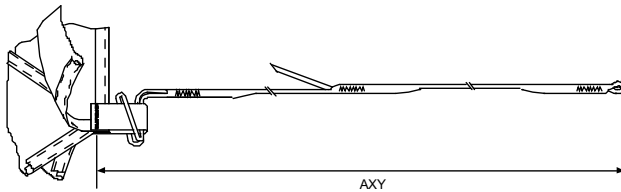


SOLO DACRON



ENSURE LOOPS ARE HELD EVENLY AND SECURELY. EACH LINE TO BE LOADED TO 10LBS DURING MEASUREMENT. MEASURE THE DEPLOYMENT BRAKE SETTING WITH THE TOGGLES STOWED. MEASURE THE FULL FLIGHT SETTING WITH THE TOGGLES UNSTOWED.



MEASURE FROM END OF SUSPENSION LINE LOOP TO BARTACK ON SUSPENSION LINE ATTACHMENT TAB.

Canopy	190	210	230	250	270	290
AXY1	134	140 7/8	156	163 4/8	170 7/8	177
A1-B1	1 2/8	1 2/8	1 3/8	1 3/8	1 4/8	1 5/8
A1-C1	7 1/8	7 5/8	8	8 2/8	8 5/8	8 7/8
A1-D1	14 5/8	15 3/8	16 1/8	16 7/8	17 4/8	18 1/8
AXY2	134	140 7/8	156	163 4/8	170 7/8	177
A2-B2	1 5/8	1 5/8	1 6/8	1 7/8	1 7/8	2
A2-C2	8 4/8	8 7/8	9 3/8	9 6/8	10 1/8	10 7/8
A2-D2	17 2/8	18 2/8	19 1/8	19 7/8	20 5/8	21 5/8
AXY3	134	140 7/8	156	163 5/8	170 7/8	177
A3-B3	1 6/8	1 6/8	1 7/8	2	2	2 1/8
A3-C3	9 1/8	9 5/8	10 1/8	10 4/8	10 7/8	11 5/8
A3-D3	18 5/8	19 5/8	20 4/8	21 2/8	22 1/8	23 2/8
E1	146 7/8	159	46 7/8	48 7/8	50 6/8	181 7/8
E3	148 3/8	160 4/8	48 4/8	50 5/8	52 4/8	183 6/8
E4	150 7/8	163 1/8	51 2/8	53 3/8	55 4/8	186 6/8
E5	158 2/8	171	59 4/8	62	64 3/8	196 1/8
LCL	104 2/8	114 1/8	119 7/8	125 5/8	125 5/8	129 3/8
TOGGLE	18 2/8	18 7/8	19 6/8	20 5/8	24	24 7/8

Float

B: 3/8

C: 6/8

D: 1 1/8

All dimensions in Inches